

SELECT DESIRED COLOR:

NATURE GREEN

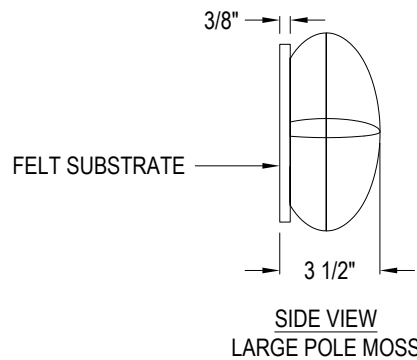
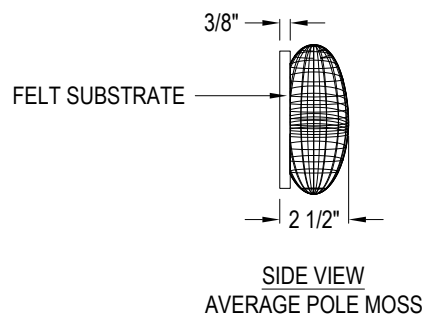
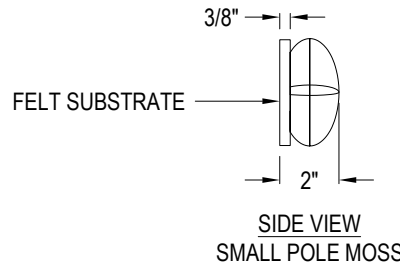
LIGHT GREEN

SELECT DESIRED SIZE:

SMALL

AVERAGE

LARGE



SPECIFICATIONS

SURFACE: WALL/CEILING

COMPOSITION: PRESERVED FOREST MOSS

MATERIAL: MOSS AND PRESERVATIVES

WEIGHT: 0.8 LBS/SQ. FT WITH FELT SUBSTRATE

SOUND ABSORPTION: NRC RATING: 0.90 AND SAA RATING: 0.86

NOTES:

1. INSTALLATION TO BE COMPLETED IN ACCORDANCE WITH MANUFACTURER'S SPECIFICATIONS.
2. DO NOT SCALE DRAWING.
3. THIS DRAWING IS INTENDED FOR USE BY ARCHITECTS, ENGINEERS, CONTRACTORS, CONSULTANTS AND DESIGN PROFESSIONALS FOR PLANNING PURPOSES ONLY. THIS DRAWING MAY NOT BE USED FOR CONSTRUCTION.
4. ALL INFORMATION CONTAINED HEREIN WAS CURRENT AT THE TIME OF DEVELOPMENT BUT MUST BE REVIEWED AND APPROVED BY THE PRODUCT MANUFACTURER TO BE CONSIDERED ACCURATE.
5. CONTRACTOR'S NOTE: FOR PRODUCT AND COMPANY INFORMATION VISIT www.CADdetails.com/info AND ENTER REFERENCE NUMBER 5553-001.

