



PRESERVED FOLIAGE

SPEC SHEET 2024



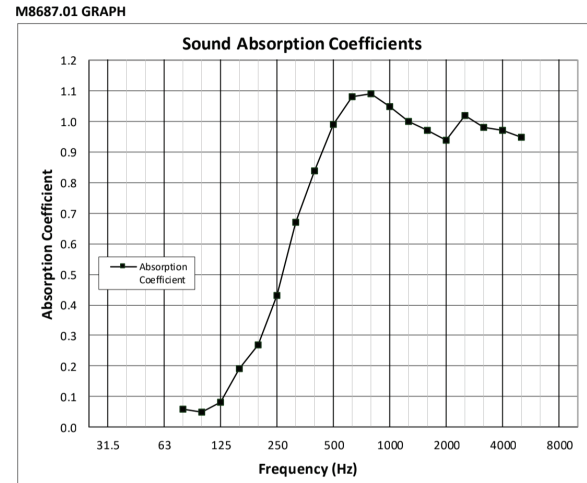


POLE MOSS

SPEC SHEET 2022

Product: Moss
 Surface: Wall/Ceiling
 Composition: Preserved Forest Moss
 Material: Moss + Preservatives
 Weight: 0.8 lbs /sq. ft with felt substrate
 Thickness: 2.5" -3.5"

Sound Absorption: NRC rating: 0.85 and SAA rating: 0.86



Color Options

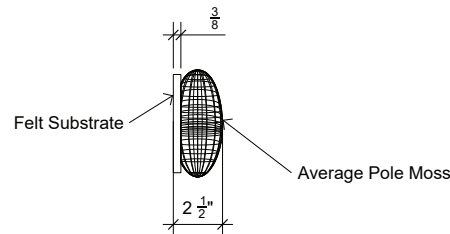
Dimensions



NATURE GREEN



LIGHT GREEN



SAMPLE TYPE	Felt panels with preserved moss							
MOUNTING TYPE	A							
DATA FILE NO.	1/3 OCTAVE SOUND ABSORPTION COEFFICIENTS AT THE OCTAVE BAND FREQUENCIES						NRC	SAA
	125	250	500	1000	2000	4000		
M8687.01	0.08	0.43	0.99	1.05	0.94	0.97	0.85	0.86

PRODUCT PHOTOS: POLE MOSS





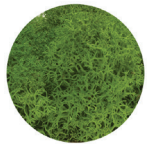
REINDEER MOSS

SPEC SHEET 2022

Product: Moss
Surface: Wall
Composition: Preserved Lichen
Material: Moss + Preservatives
Weight: 1.4 lbs /sq. ft with felt substrate
Thickness: 1.5"-2.5"

Sound Absorption: NRC rating: 0.55
Fire Test Method Number: ASTM E84 Class A Fire Rating

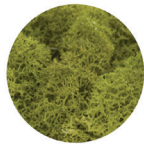
Color Options



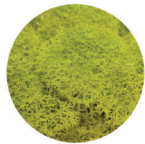
NATURE GREEN



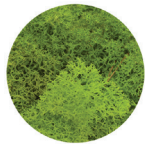
FOREST GREEN



MEDIUM GREEN

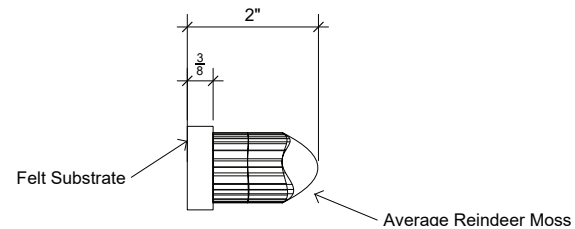


LIME GREEN



LIGHT GREEN

Dimensions



PRODUCT PHOTOS: REINDEER MOSS





FLAT MOSS

SPEC SHEET 2022

Product: Moss
Surface: Wall/Ceiling
Composition: Preserved Moss
Material: Moss + Preservatives
Weight: 0.6 lbs /sq. ft with felt substrate
Thickness: 2.5"-3.5"

Sound Absorption: TBA
Fire Test Method Number: TBA

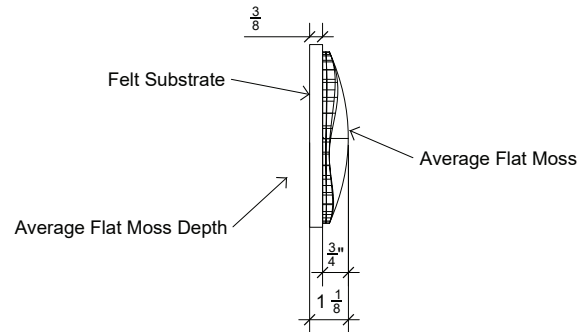
Color Options



Side View

NATURE GREEN

Dimensions



PRODUCT PHOTOS: FLAT MOSS



Flat Moss with Pole Moss



Flat Moss with Reindeer Moss



PILLOW MOSS

SPEC SHEET 2022

Product Detail

Product: Moss
Surface: Wall/Ceiling
Composition: Preserved Moss
Material: Moss + Preservatives
Weight: 1.2 lbs /sq. ft with felt substrate
Thickness: 3.5"-5.5"

Colors

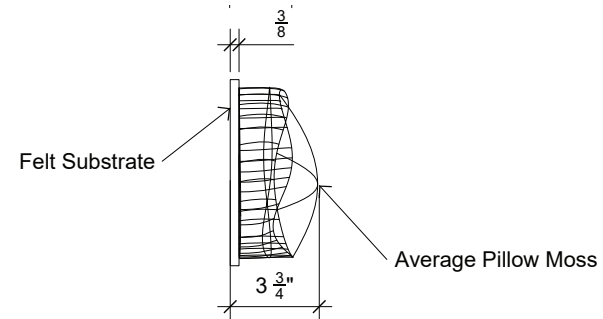


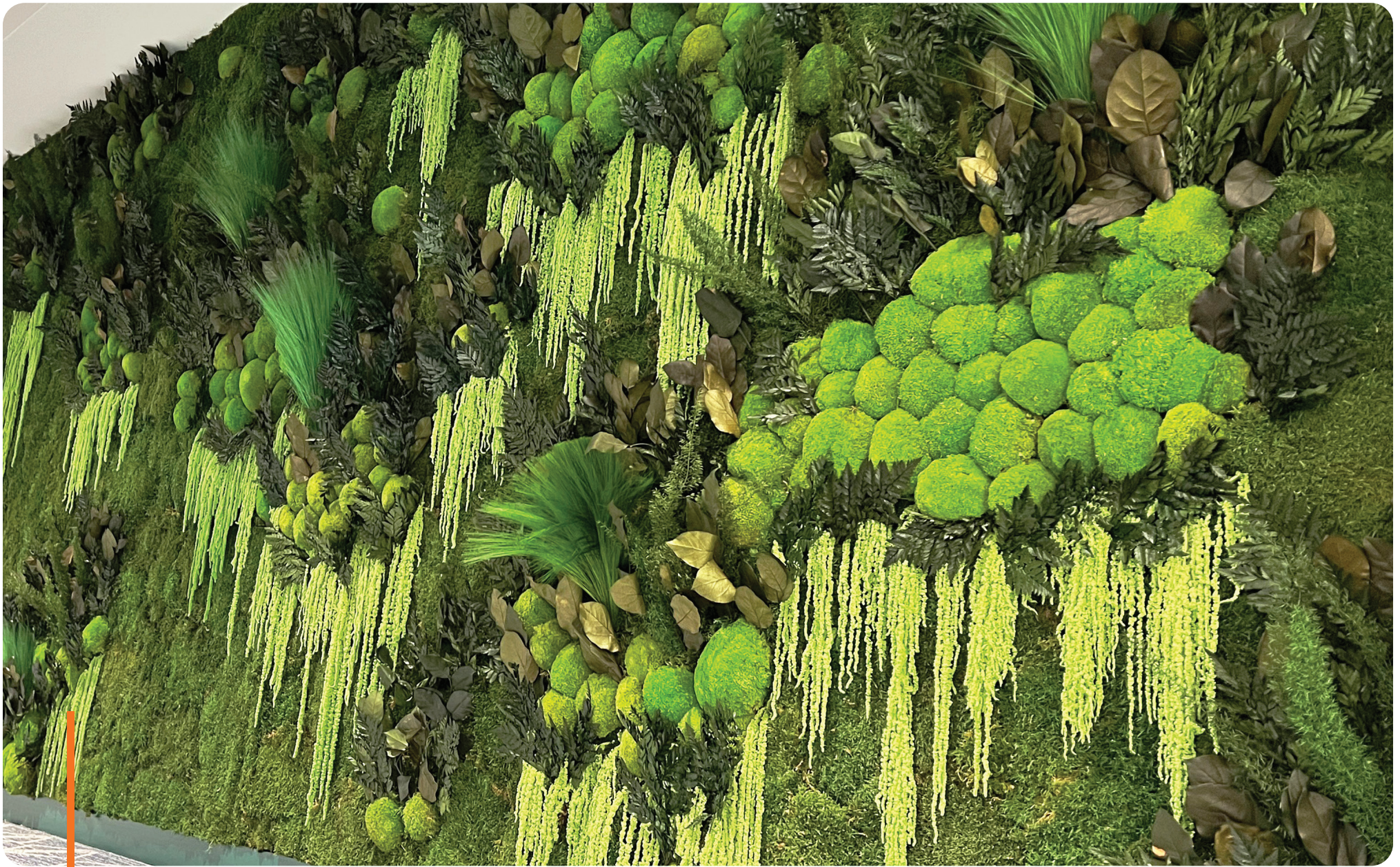
NATURE GREEN

Technical Specifications

Sound Absorption: TBA
Fire Test Method Number: TBA

Dimensions





PRESERVED FOLIAGE

SPEC SHEET 2024

Product Detail

Name: SALAL
Product: Preserved Plants
Surface: Wall/Ceiling
Composition: Preserved
Material: Plant + Preservatives
Weight: 3.5 oz / 100g
Length: 20 in

Technical Specifications

Sound Absorption: N/A
Fire Test Method Number: N/A

Colors

Green



SALAL

Product Detail

Name: ARGYREIA FERN
Product: Preserved Plants
Surface: Wall/Ceiling
Composition: Preserved
Material: Plant + Preservatives
Weight: 3 oz / 85g
Length: 18 in
Stems: 6

Technical Specifications

Sound Absorption: N/A
Fire Test Method Number: N/A

Colors

Green



ARGYREIA
FERN

Product Detail

Name: PARCHMENT FERN
Product: Preserved Plants
Surface: Wall/Ceiling
Composition: Preserved
Material: Plant + Preservatives
Weight: 3 oz / 85g
Length: 18 in
Stems: 6

Technical Specifications

Sound Absorption: N/A
Fire Test Method Number: N/A

Colors

Red and Green



PARCHMENT FERN

Product Detail

Name: RUMOHRA FERN
Product: Preserved Plants
Surface: Wall/Ceiling
Composition: Preserved
Material: Plant + Preservatives
Weight: 1.5 oz / 46g
Length: 15 in
Stems: 10



Technical Specifications

Sound Absorption: N/A
Fire Test Method Number: N/A

Colors

Green + Autumn



RUMOHRA FERN

Product Detail

Name: AMARANTHUS
Product: Preserved Plants
Surface: Wall
Composition: Preserved
Material: Plant + Preservatives
Weight: 4.5 oz / 130g
Length: 30 in



Technical Specifications

Sound Absorption: N/A
Fire Test Method Number: N/A

Colors

Green + Light Green



AMARANTHUS

Product Detail

Name: OLIVE BRANCH
Product: Preserved Plants
Surface: Wall/Ceiling
Composition: Preserved
Material: Plant + Preservatives
Weight: 3.5 oz / 100g
Length: 27 in
Stems: 10

Technical Specifications

Sound Absorption: N/A
Fire Test Method Number: N/A

Colors

Green



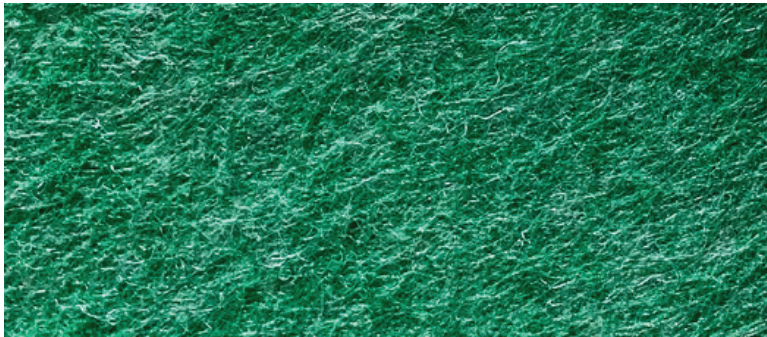
OLIVE
BRANCH

SPEC SHEET: SUBSTRATES

Product Detail: FELT BOARD

Product: Acoustic Felt Panel
Surface: Wall/Ceiling
Material: 60% Recycled PET

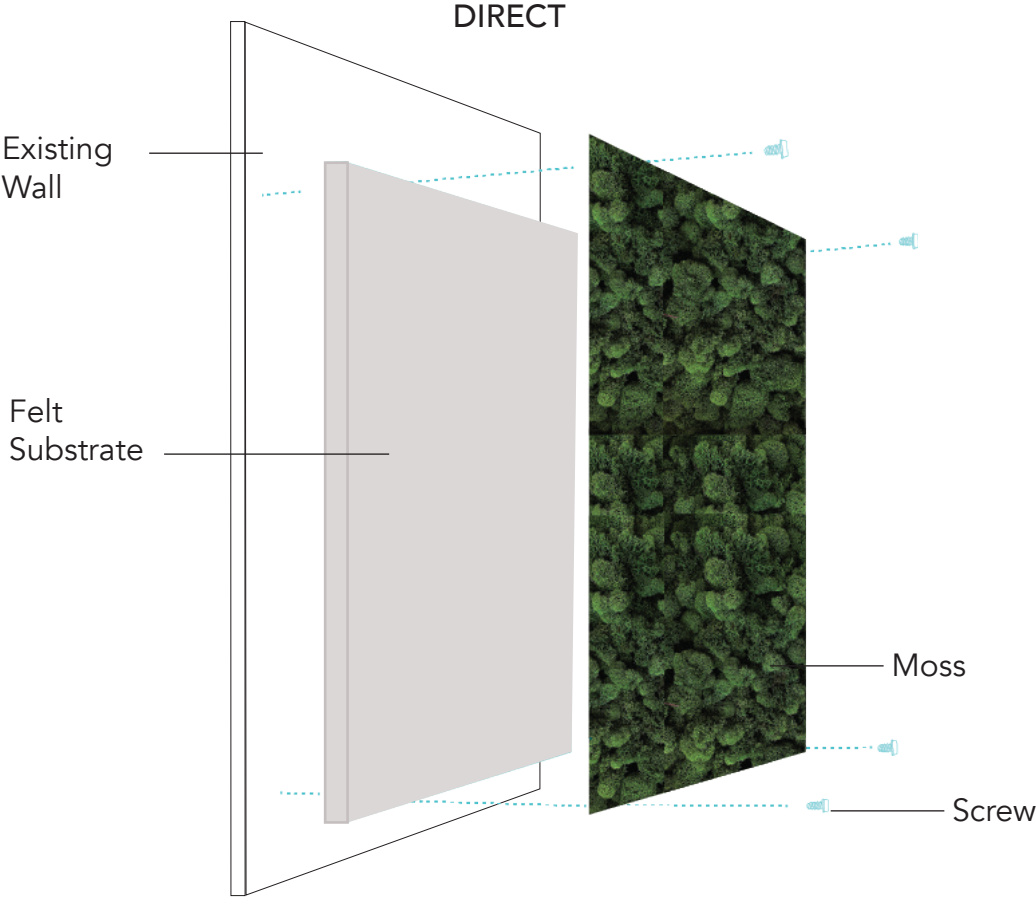
Weight: 1500GSM (44.2 opsy)
Thickness: 9.5mm



Technical Specifications

Fire Test Method Number: ASTM E84 Class A Fire Rating

MOUNTING



For Standard Projects on Felt Substrate

www.GreenOasis.com



©2024 Green Oasis